

# TriStile EL

## Tripod Turnstile for Internal Installation (\*)

Tripod Turnstiles are entrance solutions designed for smooth and silent operation, less wear and tear and reduced power consumption, suitable for areas where there is a large flow of people.

TriStile EL has an attractive oval-shaped design ideal for sites where aesthetics and customisation are important. A selection of wood and stone lids are available alongside the full stainless steel offering.

On receiving a signal from the access control system, or push button, this allows the passage of one person at a time. The status is shown on the LED way mode indicators, in entry and exit side.

Passage in both directions is electronically controlled. The TriStile EL is available in Normally Closed (N/C) configuration to lock the mechanism until a valid authorisation signal is received, or in Normally Open (N/O) configuration to lock the mechanism in the event of attempted unauthorised entry. The N/O configuration also allows reduced power consumption and increases the life of the mechanism and passage throughput speed. In case of emergency, the hub freely rotates for an easier exit. The drop arm option can be chosen which automatically drops the horizontal arm to allow free passage. LED way mode indicators are included as standard. (\*) External installation is allowed with stainless steel top lid under canopy.



From



Bishopsgate

**GUNNEBO**<sup>®</sup>  
For a safer world

# TriStile EL

www.gunnebo.com

## Tripod Turnstile for Internal Installation

### Drive

Hand-operated

### Materials

Casework: 304 grade grained stainless steel  
Casework lid: 304 grade grained stainless steel  
Tripod hub: Cast aluminium with painted grey finish  
Tripod arms: 38mm diameter 480mm 304 polished stainless steel

### Mechanism

#### Electro-mechanical head mechanism:

- Positive locking action for one passage at a time
- Self-centering mechanism to ensure complete rotation into the home position
- Hydraulic damper to ensure smooth operation
- Anti-backup device to prevent reverse rotation once the mechanism has moved 60° from home

### Power Failure / Fire Alarm

- Either one or both directions can be fail-safe (standard), i.e. rotates freely, or fail lock, i.e. locks in the home position
- Fire alarm - emergency input. Input facility available for free voltage contact to effect fail-state
- Mechanism fail state will be the same as power failure choice
- Drop arm option: the horizontal arm drops to create passage for evacuation

### Interface

#### LL2001Lite microprocessor control logic:

- One input for opening/locking in each direction
- Two protected outputs controlling opening/locking
- Four protected outputs piloting waymode indicators
- Two protected outputs counting passage in either direction
- Two OV output relays indicating availability of use or counting passage in either direction
- Two open collector NPN outputs to count passage or to indicate availability of use in either direction or to activate the optional drop arm feature
- Serial Port - RS485

### OPTIONS

- Card reader mounting
- Remote control MP2000
- Push button control
- Pictograms
- LCD counter
- Stone and wooden lids
- Drop arm
- Apron infill (glass or steel)

### BENEFITS

- Attractive oval-shaped design
- Silent operation and reduced power consumption
- LED indicators clearly signal direction of passage

### APPLICATIONS

- Government
- Retail
- Finance
- Telecommunications
- IT
- Banking
- Publishing
- Leisure
- Petrochemical
- Education...

DataSheet\_TriStile\_EL\_1.3\_EN



From



Bishopsgate

**GUNNEBO**<sup>®</sup>  
For a safer world

# TriStile EL

## TECHNICAL DATA

Dimensions	See details on next page
Power Supply	230Vac 50 Hz or 115Vac 60 Hz
Power Rating	50VA (stand by 5VA if Normally Open)
Operating Temperature	-5 to +50 °C (RH 95% not condensing)
IP rating / MCBF / MTTR	IP 32 / 10M cycles (12M if Normally Open) / less than 30 min
Flow Rates (approximate figures)	
	Insertion Type Reader: 20 passages per minute
	Swipe Type Reader: 30 passages per minute
	Proximity Reader "Hands Free": 40 passages per minute

From



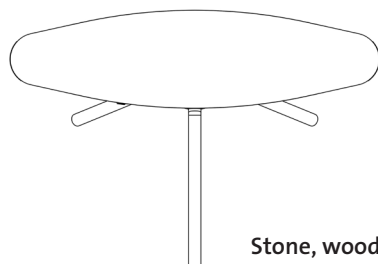
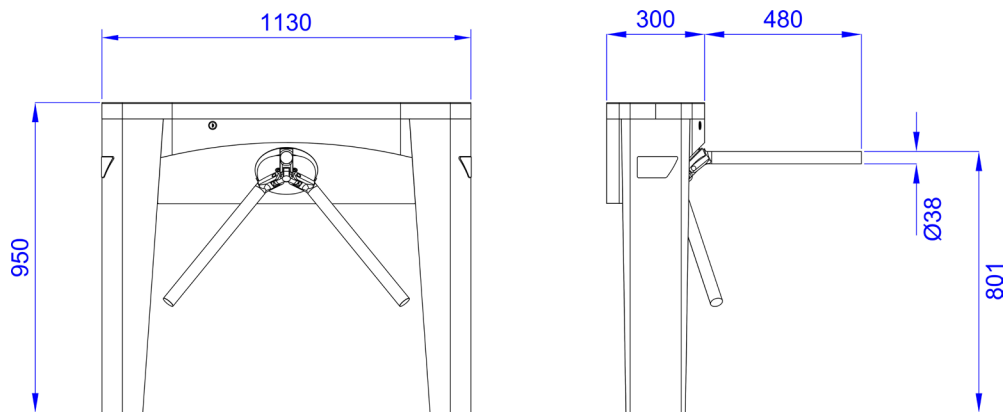
**Bishopsgate**

**GUNNEBO®**  
For a safer world

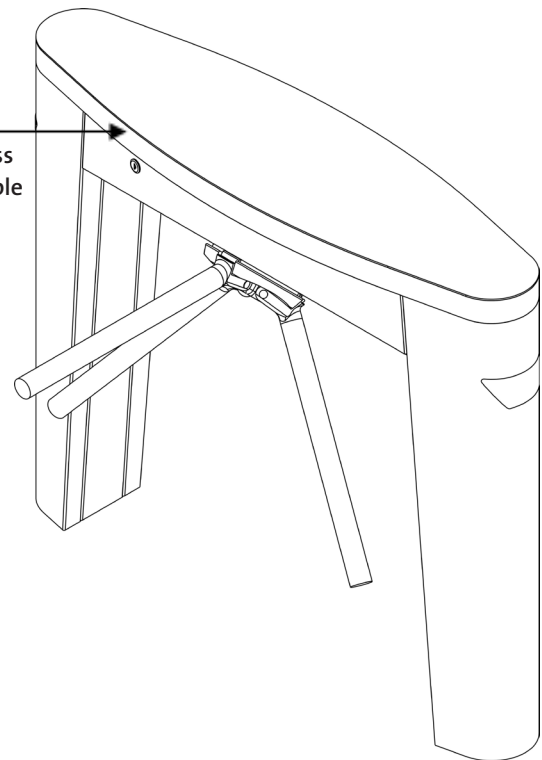
# TriStile EL

## SITE PREPARATION

Product is delivered fully assembled and may require lifting equipment.  
Approx. weight: 50Kg  
(For installation details, please refer to the installation manual).



Stone, wooden or stainless steel top selection available



Concrete Base to specification at least fck (cube) 300N/mm<sup>2</sup> of resistance.  
Base to be flat and level to +/- 5mm over footprint area.  
Dimensions to be > 1200 x 500 x 150 deep min (units in mm).

# TriStile EL

## IMPORTANT

- Any horizontal pipe or conduit running below the Tripod Turnstile must be at least 140mm below FFL.
- Metal conduit for cables should be raised at least 50mm from foundation
- It is the customer's responsibility to ensure the structural integrity and strength of the installation location.
- The dimensions given in this Product Data Sheet are for information only. In order to prepare the installation site, please refer to your usual Gunnebo Customer Service contact

Note: In pursuit of its policy of continuous refinement and improvement, Gunnebo Entrance Control reserves the right to modify design and details at any time and without notice.



**Bishopsgate Int (Nig) Ltd**  
52a Campbell Street  
Lagos Island CBD  
Lagos State 100221

Tel: +234 (700) 247-4677-4283  
Email: [sales@bishopsgate-nq.com](mailto:sales@bishopsgate-nq.com)  
Web: [www.bishopsgate-nq.com](http://www.bishopsgate-nq.com)

**GUNNEBO®**  
For a safer world