

TRITECH SL

Tripod Turnstile

for indoor and outdoor applications

TRITECH SL electromechanical dual legged tripod turnstiles are a compact, elegant, user-friendly and reliable solution of heavy-duty electromechanical full height turnstiles are designed to ensure reliable unmanned pedestrian access control where pedestrians enter or exit restricted areas.



AVAILABLE CONFIGURATIONS

- TRITECH SL S- Single 3-Arm (120° Rotor) Half Height Tripod
- TRITECH SL D- Double 3-Arm (120° Rotor) Half Height Tripod.
Available on request

Typical areas of application include:

Construction Sites | Education | Financial and Banking Institutions | Government Sites | Health Clubs | Industrial Sites | Leisure & Entertainment | Mining | Public Ablutions | Stadia | Transport & Logistics

Alltech Vehicle Barriers & Turnstiles Solutions also feature:

Boom and Spike Barriers | Bollards | Fast Folding Gates | Road and Rated Wedge Blockers | Half & Full Height Turnstiles | Revolving Doors | Security Booths | Special Needs Access Gates

FIND OUT MORE ON

alltechbygunnebo

From



Bishopsgate

brought to you by **GUNNEBO**
For a safer world

ELECTRICAL DATA & CONDITIONS OF USE

POWER	<ul style="list-style-type: none">Power Supply: 220Vax 50HzPower Consumption: 50W (TRITECH SL S) / 100W (TRITECH SL D)
LOGIC / SOLENOID VOLTAGE	<ul style="list-style-type: none">24VDC
FIRE SIGNAL	<ul style="list-style-type: none">Input for voltage free contact
OPERATING TEMPERATURES	<ul style="list-style-type: none">-10°C to +55°CRH 95% no condensing
EMC COMPLIANCE	<ul style="list-style-type: none">According to CE – IP34

SYSTEMS INTEGRATION & ACCESS SPECIFICATIONS

LOGIC	<ul style="list-style-type: none">TL100
SYSTEMS INTEGRATION	<ul style="list-style-type: none">Integrates with any access control and time & attendance systems with 0 voltage input0V inputs provided for entry and exit directions of passage0V latching input provided for control of both simultaneous and individual entry and exit direction0V outputs provided for complete transaction counting in both entry and exit directionsMechanical key switch override for locking / unlocking each direction of passage
FLOW RATES <i>Guideline only dependent on access control installation</i>	<ul style="list-style-type: none">Insertion Type Reader: 12 passages / mnSwipe Type Reader: 15 passages / mnProximity Type Reader: 17 passages / mn
DISABLED ACCESS	<ul style="list-style-type: none">No. Only available in combination with a special needs access gate. See Alltech selection of equipment within the HANDYTECH product range
EMERGENCY EGRESS	<ul style="list-style-type: none">In the event of power failure or fire alarm, the turnstile may be configured to fail-safe i.e. rotor freely rotates or fail-lock i.e. rotor locks. Either option is available in both or one direction. Choice to be specified at time of order placement

INSTALLATION & MAINTENANCE

PRODUCT DELIVERY	<ul style="list-style-type: none">Fully assembled or in a kit form. Choice to be specified at time of order placement.
SITE PREPARATION	<ul style="list-style-type: none">Flat and leveled finished floor +/- 5mm
CABLING & CONDUITS	<ul style="list-style-type: none">Trough the ground or through the wall
LOGIC ACCESS	<ul style="list-style-type: none">Housed into top channel with lockable lid
MAINTENANCE ACCESS	<ul style="list-style-type: none">Top channel access
MTTR <i>Mean Time To Repair</i>	<ul style="list-style-type: none">Approx. 20mn
MCBF <i>Mean Cycle Between Failure</i>	<ul style="list-style-type: none">5 million

From



Bishopgate

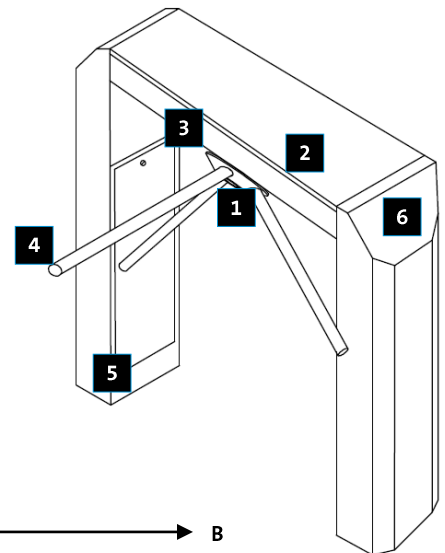
MECHANICAL AND DESIGN OPTIONS

ROTATION MECHANISM	<ul style="list-style-type: none"> 120° Rotor Electronically controlled bi-directional 120° Rotor Mechanically controlled uni-directional via key override Free rotation
ARM DESIGN	<ul style="list-style-type: none"> 38mm Round stainless steel tubing
LOCKING	<ul style="list-style-type: none"> Fail-lock* auto-lock in the event of a power failure Fail-safe* auto-unlock in the event of a power failure <p><i>* In the event of power failure or fire alarm, the Tripod may be configured to fail-safe i.e. rotor freely rotates or fail-lock i.e. rotor locks. Either option is available in both or one direction. Choice to be specified at time of order placement.</i></p>
FINISHES OPTIONS	<ul style="list-style-type: none"> Mild steel powder coated to standard - Black. <i>Other choice of colour available on request</i> <i>Not recommended for corrosive environment applications</i> Brushed 304 stainless steel. <i>Suitable for corrosive environment applications with adequate cleaning program</i> <i>For improved durability in corrosive environment applications with adequate cleaning program</i>
ACCESSORIES	<ul style="list-style-type: none"> Single / dual push button (supplied tripod mounted or non-mounted)

PRODUCT OVERVIEW

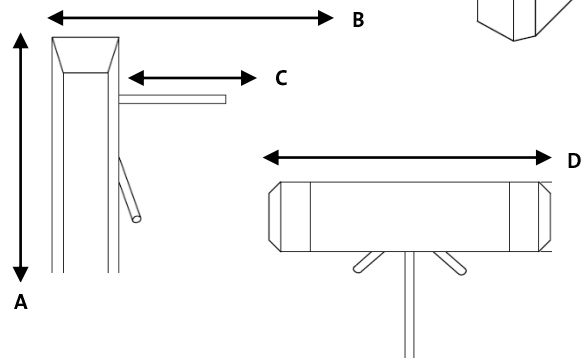
INDEX KEY

- | | |
|---|--|
| 1 Electro-mechanical head system | 5 Wiring entry points |
| 2 Top channel lockable lid | 6 Access control reader mounting position |
| 3 Mechanical key overrides | |
| 4 38mm dia. arms | |



DIMENSIONS & WEIGHT

	TRITECH SL S	TRITECH SL D
A: OVERALL HEIGHT	▪ 1062mm	▪ 1062mm
B: OVERALL WIDTH	▪ 852mm	▪ 1422mm
C: WALKWAY WIDTH	▪ 500mm	▪ 500mm
D: TOTAL LENGTH	▪ 1202mm	▪ 1202mm
NET WEIGHT	▪ Approx. 82kg	▪ Approx. 125 kg





ALLTECH RELIABILITY

Picking the optimum entrance control solution is a process based on close cooperation with our customers – all the way from **needs analysis**, **production**, to **implementation** and **service**

From Analysis to Proposal

- Needs analysis forms the basis of a tailored proposal
- Specified for the overall solution and for individual areas of the site
- Fully compliant with all local regulations


Installation, Testing, Training

- Monitoring and implementing every installation
- Completion programme of functional reliability checks to ensure the equipment is safe
- Documenting each stage of the installation process
- Initiating start-up phase whilst focusing on training of relevant staff

Operation and Maintenance

- Initiating procedures for operation and maintenance
- Offering adequate Maintenance Plans or Service Level Agreements

With Alltech, a brand of the Gunnebo Security Group, a safe and reliable entrance control system is ready for round-the-clock use.



Bishopsgate Int (Nig) Ltd
52a Campbell Street
Lagos Island CBD
Lagos State 100221

Tel: +234 (700) 247-4677-4283
Email: sales@bishopsgate-nq.com
Web: www.bishopsgate-nq.com