

## TRITECH ML

## Half Height Tripod Turnstile

for indoor and outdoor applications

**TRITECH ML** mono-legged heavy-duty and electro-mechanical half height tripod turnstiles provides optimal people flow regulation and medium level of security in one user-friendly and robust solution with minimal footprint.

**TRITECH ML** unique design features allow for single entry/exit per legitimate activation signal whilst the internal mechanisms return the rotor to the locked position after each rotation. The **TRITECH ML** mechanism does not lose its adjustment after years of service and arduous conditions.

### AVAILABLE CONFIGURATIONS

- **TRITECH ML S** - Single 3-Arm (120° Rotor) Half Height Tripod
- **TRITECH ML D** - Double 3-Arm (120° Rotor) Half Height Tripod. *Available on request*



### Typical areas of application include:

*Construction Sites | Education | Financial and Banking Institutions | Government Sites | Health Clubs | Industrial Sites | Leisure & Entertainment | Mining | Public Ablutions | Stadia | Transport & Logistics*

Alltech Vehicle Barriers & Turnstiles Solutions also feature:

Boom and Spike Barriers | Bollards | Fast Folding Gates | Road and Rated Wedge Blockers | Full Height Turnstiles | Revolving Doors | Security Booths | Special Needs Access Gates

FIND OUT MORE ON

[alltechbygunnebo](http://alltechbygunnebo)

From



Bishopsgate

brought to you by **GUNNEBO**  
For a safer world

## ELECTRICAL DATA & CONDITIONS OF USE

|                                 |  |
|---------------------------------|--|
| <b>POWER</b>                    | <ul style="list-style-type: none"> <li>Power Supply: 220Vax 50Hz</li> <li>Power Consumption: 50W (TRITECH ML S) / 100W (TRITECH ML D)</li> </ul> |
| <b>LOGIC / SOLENOID VOLTAGE</b> | <ul style="list-style-type: none"> <li>24VDC</li> </ul>  |
| <b>FIRE SIGNAL</b>              | <ul style="list-style-type: none"> <li>Input for voltage free contact</li> </ul>   |
| <b>OPERATING TEMPERATURES</b>   | <ul style="list-style-type: none"> <li>-10°C to +55°C</li> <li>RH 95% no condensing</li> </ul>   |
| <b>EMC COMPLIANCE</b>           | <ul style="list-style-type: none"> <li>According to CE– IP34</li> </ul>  |

## SYSTEMS INTEGRATION & ACCESS SPECIFICATIONS

|   |  |
|---|--|
| <b>LOGIC</b>  | <ul style="list-style-type: none"> <li>TL100</li> </ul>  |
| <b>SYSTEMS INTEGRATION</b>  | <ul style="list-style-type: none"> <li>Integrates with any access control and time &amp; attendance systems with 0 voltage input</li> <li>0V inputs provided for entry and exit directions of passage</li> <li>0V latching input provided for control of both simultaneous and individual entry and exit direction</li> <li>0V outputs provided for complete transaction counting in both entry and exit directions</li> <li>Mechanical key switch override for locking / unlocking each direction of passage</li> </ul> |
| <b>FLOW RATES</b><br><i>Guideline only dependent on access control installation</i> | <ul style="list-style-type: none"> <li>Insertion Type Reader: 12 passages / mn</li> <li>Swipe Type Reader: 15 passages / mn</li> <li>Proximity Type Reader: 17 passages / mn</li> </ul>  |
| <b>DISABLED ACCESS</b>  | <ul style="list-style-type: none"> <li>No. Only available in combination with a special needs access gate. See Alltech selection of equipment within the HANDYTECH product range</li> </ul>  |
| <b>EMERGENCY EGRESS</b>   | <ul style="list-style-type: none"> <li>In the event of power failure or fire alarm, the turnstile may be configured to fail-safe i.e. rotor freely rotates or fail-lock i.e. rotor locks. Either option is available in both or one direction. Choice to be specified at time of order placement</li> </ul>  |

## INSTALLATION & MAINTENANCE

|   |  |
|---|--|
| <b>PRODUCT DELIVERY</b>                         | <ul style="list-style-type: none"> <li>Fully assembled or in a kit form. Choice to be specified at time of order placement.</li> </ul> |
| <b>SITE PREPARATION</b>                         | <ul style="list-style-type: none"> <li>Flat and leveled finished floor +/- 5mm</li> </ul>  |
| <b>CABLING &amp; CONDUITS</b>                   | <ul style="list-style-type: none"> <li>Trough the ground or through the wall approx. 140mm deep</li> </ul>                             |
| <b>LOGIC ACCESS</b>                             | <ul style="list-style-type: none"> <li>Housed into top channel with lockable lid</li> </ul>  |
| <b>MAINTENANCE ACCESS</b>                       | <ul style="list-style-type: none"> <li>Top and Side channel access</li> </ul>  |
| <b>MTTR</b>   <i>Mean Time To Repair</i>        | <ul style="list-style-type: none"> <li>Approx. 20mn</li> </ul>   |
| <b>MCBF</b>   <i>Mean Cycle Between Failure</i> | <ul style="list-style-type: none"> <li>5 million</li> </ul>  |

From



Bishopsgate

# MECHANICAL AND DESIGN OPTIONS

|                           |  |
|---------------------------|--|
| <b>ROTATION MECHANISM</b> | <ul style="list-style-type: none"> <li>120° Rotor Electronically controlled bi-directional</li> <li>120° Rotor Mechanically controlled uni-directional via key override</li> <li>Free rotation</li> </ul>  |
| <b>ARM DESIGN</b>         | <ul style="list-style-type: none"> <li>38mm Round stainless steel tubing</li> </ul>  |
| <b>LOCKING</b>            | <ul style="list-style-type: none"> <li>Fail-lock* auto-lock in the event of a power failure</li> <li>Fail-safe* auto-unlock in the event of a power failure</li> </ul> <p><i>* In the event of power failure or fire alarm, the Tripod may be configured to fail-safe i.e. rotor freely rotates or fail-lock i.e. rotor locks. Either option is available in both or one direction. Choice to be specified at time of order placement.</i></p>           |
| <b>FINISHES OPTIONS</b>   | <ul style="list-style-type: none"> <li>Mild steel powder coated to standard - Black. <i>Other choice of colour available on request</i><br/><i>Not recommended for corrosive environment applications</i></li> <li>Brushed 304 stainless steel. <i>Suitable for corrosive environment applications with adequate cleaning program</i><br/><i>For improved durability in corrosive environment applications with adequate cleaning program</i></li> </ul> |
| <b>ACCESSORIES</b>        | <ul style="list-style-type: none"> <li>Single / dual push button (supplied tripod mounted or non-mounted)</li> </ul>   |

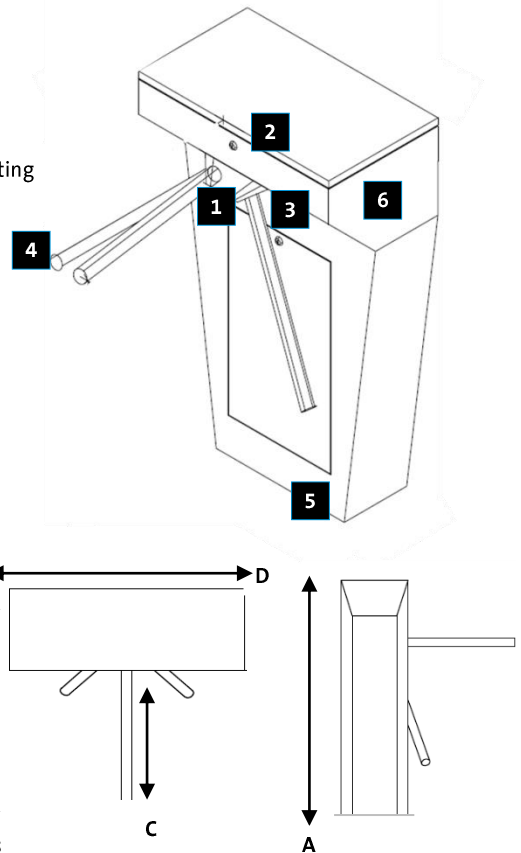
# PRODUCT OVERVIEW

## INDEX KEY

- |   |  |
|---|--|
| <b>1</b> Electro-mechanical head system | <b>5</b> Wiring entry points                     |
| <b>2</b> Top channel lockable lid       | <b>6</b> Access control reader mounting position |
| <b>3</b> Mechanical key overrides       |  |
| <b>4</b> 38mm dia. arms                 |  |

## DIMENSIONS & WEIGHT

|                          | TRITECH SL S   | TRITECH SL D     |
|--------------------------|----------------|------------------|
| <b>A: OVERALL HEIGHT</b> | ▪ 1082mm       | ▪ 1082mm         |
| <b>B: OVERALL WIDTH</b>  | ▪ 878mm        | ▪ 1711mm         |
| <b>C: WALKWAY WIDTH</b>  | ▪ 523mm        | ▪ 523mm          |
| <b>D: LENGTH</b>         | ▪ 615mm        | ▪ 615mm          |
| <b>NET WEIGHT</b>        | ▪ Approx. 65kg | ▪ Approx. 110 kg |



From



Bishopsgate

brought to you by **GUNNEBO**  
For a safer world



## ALLTECH RELIABILITY

Picking the optimum entrance control solution is a process based on close cooperation with our customers – all the way from **needs analysis**, **production**, to **implementation** and **service**

### From Analysis to Proposal

- Needs analysis forms the basis of a tailored proposal
- Specified both for the overall solution and for individual areas of the site
- Fully compliant with all local regulations

### Installation, Testing, Training

- Monitoring and implementing every installation
- Completion programme of functional reliability checks to ensure the equipment is safe
- Documenting each stage of the installation process
- Initiating start-up phase whilst focusing on training of relevant staff

### Operation and Maintenance

- Initiating procedures for operation and maintenance
- Offering adequate Maintenance Plans or Service Level Agreements

With Alltech, a brand of the Gunnebo Security Group, a safe and reliable entrance control system is ready for round-the-clock use.



**Bishopsgate Int (Nig) Ltd**  
52a Campbell Street  
Lagos Island CBD  
Lagos State 100221

Tel. **+234 (700) 247-4677-4283**  
Email: [sales@bishopsgate-nq.com](mailto:sales@bishopsgate-nq.com)  
Web: [www.bishopsgate-nq.com](http://www.bishopsgate-nq.com)